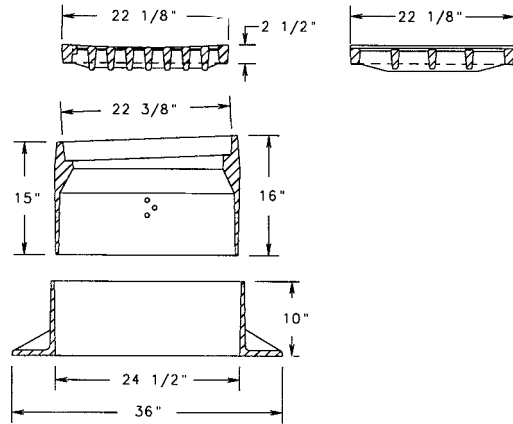
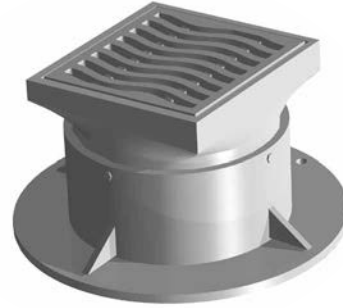


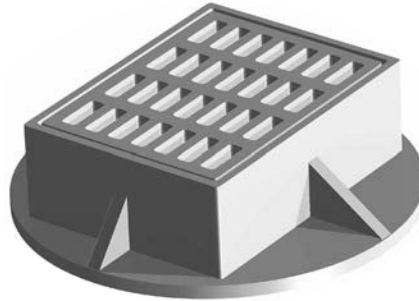
5125 CATCH BASIN INLET

Heavy duty
 Adjustable assembly
 Front adjusts from 16 1/2" to 18 1/2"
 Back adjusts from 17 1/2" to 19 1/2"
 Accepts 1795 base flange
 Accepts 5105 grates
 Approximate 175 sq. in. open area

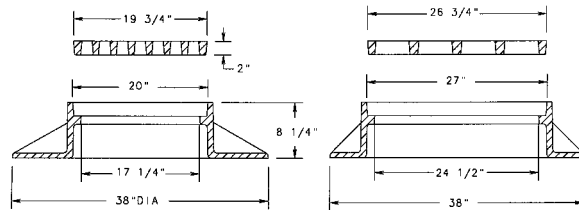


5130 CATCH BASIN INLET

Heavy duty
 With Type M2 flat grate
 "DUMP NO WASTE!" lettering
 Approximate 215 sq. in. open area



Type M3 Flat Grate
 Approx. 240 sq. in.
 open area



Supplied By:

**TRENCHDRAIN
 SUPPLY**

877-903-7246

www.trenchdrainsupply.com

